

CAREWare 6: Network Configuration and Security Issues

June 20, 2019

Jeff Murray

jProg, Inc.

New Orleans, LA

&

John Milberg

HIV/AIDS Bureau (HAB)

Div. of Policy and Data

Data Management and Analysis Branch

Health Resources and Services Administration (HRSA)



Outline of today's webinar

- **Provide an overview of the new structure and configuration of CAREWare 6 compared to CW 5**
- **Review security features and measures to reduce security risks**
- **Demonstrate an upgrade from version 5 to 6**
 - First for local network configuration
 - Then onto internet-facing configuration

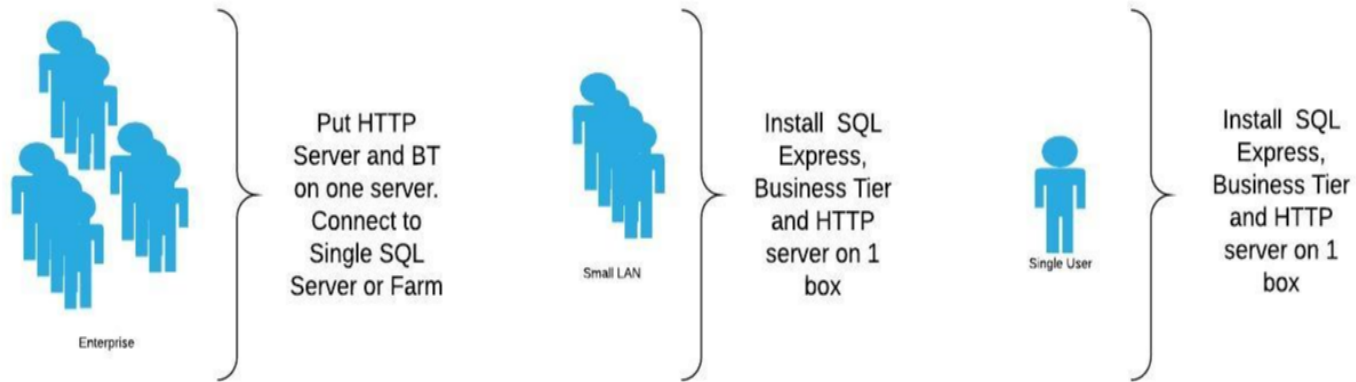
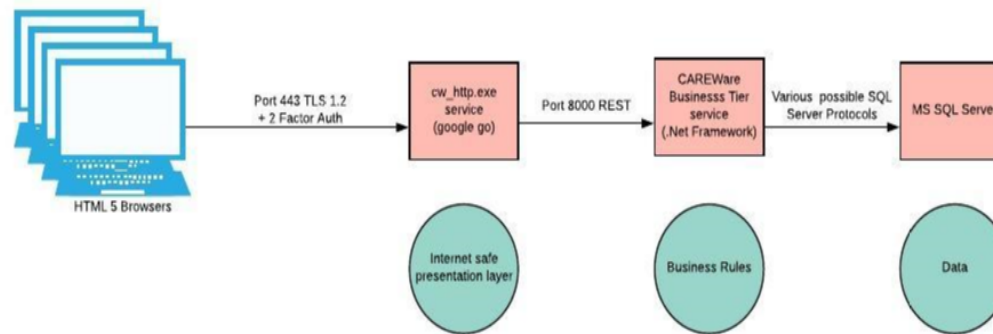


Overview of new configuration

- Simplified rollout – eliminating the current client tier
- Basic Architecture
 - HTTP Service
 - REST Business Tier Service
 - SQL Server Database



Overview of new configuration/architecture



Security Features

CAREWare Security Process

- Change management
- Source code scan – testing for vulnerabilities
- Web scan (performed in conjunction with HRSA)
- Penetration test (PENTEST)



Security Features

CAREWare Security Features

- TLS 1.2
- 2 Factor Authentication (2FA)
- Optional Open Connect ID integration

All adhere to international standards



Walking through an upgrade from CW 5 to 6: Local network configuration

- Log in to CW 5
- Upgrade server to CW 6
- Log in and demonstrate CW 6



Walking through an upgrade from CW 5 to 6: Internet configuration

- **Configure CW 6 with TLS and 2FA**
- **Simple web scan to demonstrate success of TLS configuration**



Resources

- Links to important white papers / wiki , etc:
<https://targethiv.org/library/careware-5-and-6-setup-and-security-steps>
- CAREWare wiki/FAQ:
<https://www.jprog.com/wiki/>
- Main CAREWare website:
<https://hab.hrsa.gov/program-grants-management/careware>



CW 6: Support and implementation timeline

Activity	When	Notes
CW 6 upgrade, Installation and configuration TA appointments with helpdesk	July 1, 2019	Complete request form and submit to cwhelp@jprog.com
Official rollout-software made available on HAB website	<i>July 1, 2019</i>	
CAREWare 5 no longer upgraded	Summer 2019	2018 last year that CW 5 can be used to run RSR/ADR
CAREWare 6 installed on all user sites	<i>Fall/winter 2019</i>	CW 6 required for 2019 RSR/ADR



Contact information

CAREWare helpdesk:

877-294-3571

cwhelp@jprog.com

John Milberg

Division of Policy and Data (DPD)

Data Management and Analysis Branch (DMAB)

HIV/AIDS Bureau (HAB)

Health Resources and Services Administration (HRSA)

Email: jmilberg@hrsa.gov

Phone: 301.443.8729

<https://hab.hrsa.gov/program-grants-management/careware>





Connect with HRSA

To learn more about our agency, visit

www.HRSA.gov



Sign up for the HRSA *eNews*

FOLLOW US:

